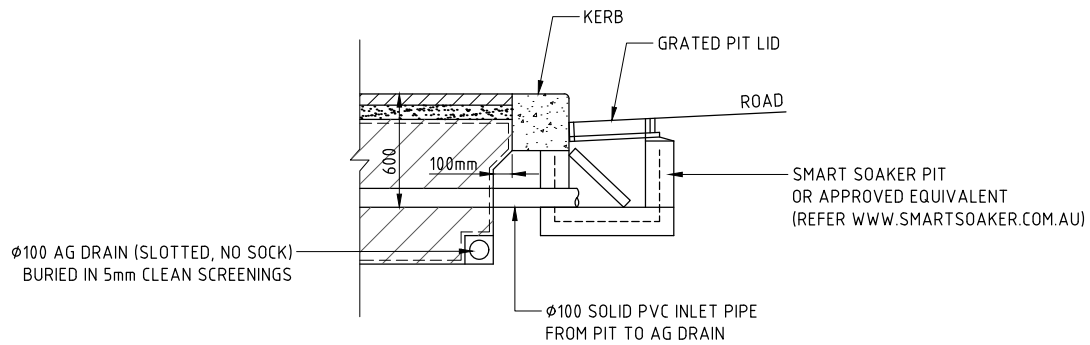


**OPTION 1: INLET PIT WITH AG PIPE FILTER**



**OPTION 2: INLET PIT WITH PAVER FILTER**

ISSUED FOR  
**INFORMATION**  
NOT FOR CONSTRUCTION

THIS FIGURE IS COPYRIGHT TO DESIGNFLOW.  
NO PART OF THIS FIGURE INCLUDING THE WHOLE OF SAME SHALL BE USED FOR ANY OTHER PURPOSE NOR BY ANY OTHER THIRD PARTY WITHOUT THE WRITTEN CONSENT OF DESIGNFLOW.

© DESIGNFLOW



DESIGN	G.W. / R.A.	PROJECT	CITY OF MELBOURNE - STREETSCAPE BLUE GREEN INFRASTRUCTURE DESIGN STANDARDS		
DRAWN	S.B.Y.	FIGURE TITLE	DETAIL 2: TREE TRENCH INLET		
DATE	15.01.2020	PROJECT No	3294	FIGURE No	DETAIL 2
SCALE	1 : 40 @ A4	ISSUE			B