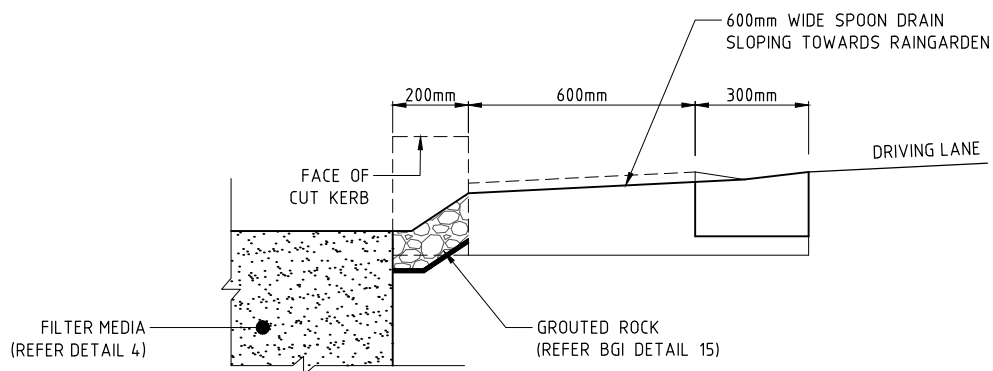


LAYOUT PLAN

SCALE 1 : 40 @ A4



TYPICAL SECTION

SCALE 1 : 20 @ A4

ISSUED FOR
INFORMATION
NOT FOR CONSTRUCTION

THIS FIGURE IS COPYRIGHT TO DESIGNFLOW.

NO PART OF THIS FIGURE INCLUDING THE WHOLE OF SAME SHALL BE USED FOR ANY OTHER PURPOSE NOR BY ANY OTHER THIRD PARTY WITHOUT THE WRITTEN CONSENT OF DESIGNFLOW.

© DESIGNFLOW



DESIGN	G.W. / R.A.
DRAWN	S.B.Y.
DATE	15.01.2020
SCALE	AS SHOWN

PROJECT	CITY OF MELBOURNE - STREETSCAPE BLUE GREEN INFRASTRUCTURE DESIGN STANDARDS		
FIGURE TITLE	DETAIL 3: TRANSITION FROM SPOON DRAIN TO OUTSTAND RAINGARDEN		
PROJECT No	3294	FIGURE No	DETAIL 3
ISSUE			B