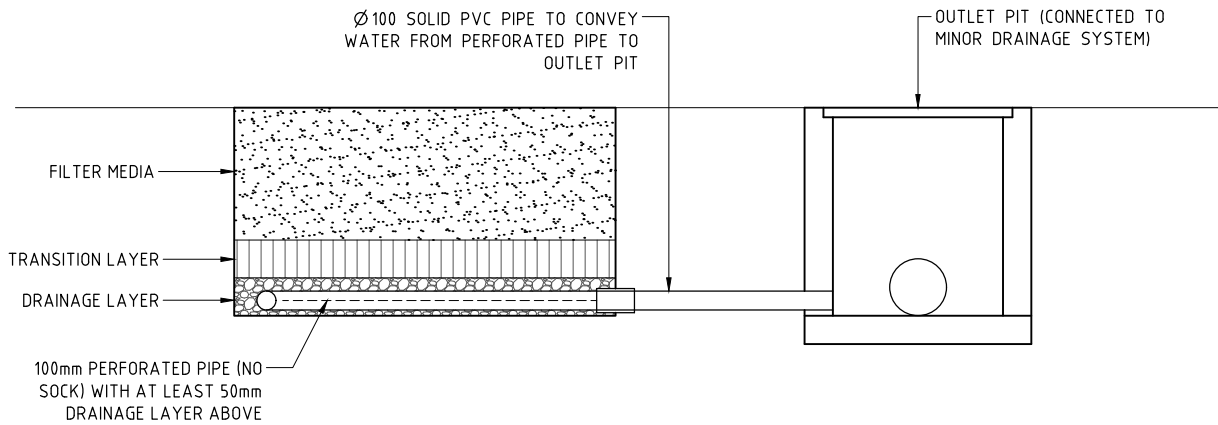
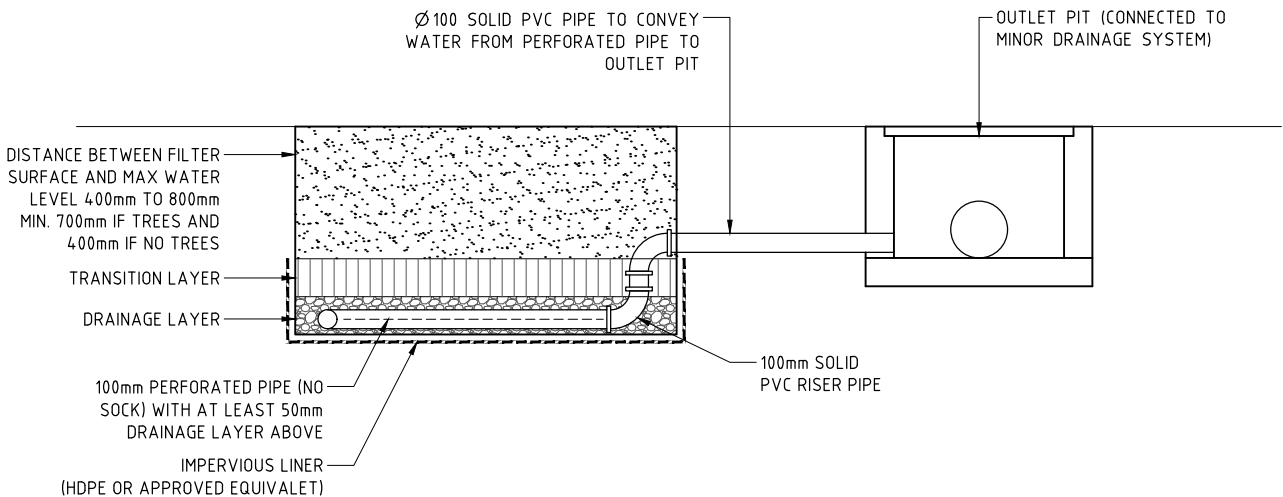


**OPTION 1: ADJUSTABLE OUTLET
WITHIN ADJACENT PIT**



OPTION 2: FREE DRAINING PIT OUTLET



**OPTION 3: FIXED DETENTION OUTLET
(CONSTRAINED LEVELS)**

ISSUED FOR
INFORMATION
NOT FOR CONSTRUCTION

THIS FIGURE IS COPYRIGHT TO DESIGNFLOW.

NO PART OF THIS FIGURE INCLUDING THE WHOLE OF SAME SHALL BE USED FOR ANY OTHER PURPOSE NOR BY ANY OTHER THIRD PARTY WITHOUT THE WRITTEN CONSENT OF DESIGNFLOW.

© DESIGNFLOW



DESIGN G.W. / R.A.

DRAWN S.B.Y.

DATE 15.01.2020

SCALE 1 : 40 @ A4

PROJECT CITY OF MELBOURNE - STREETSCAPE BLUE GREEN INFRASTRUCTURE DESIGN STANDARDS

FIGURE TITLE
DETAIL 5: DRAINAGE LAYER OUTLETS
SHEET 1 OF 2

PROJECT No 3294

FIGURE No DETAIL 5

ISSUE B