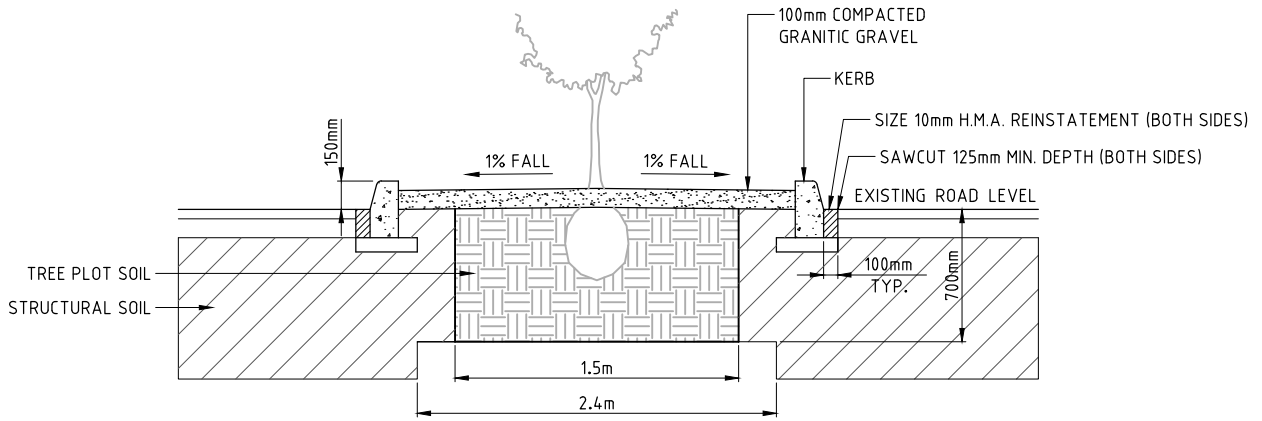
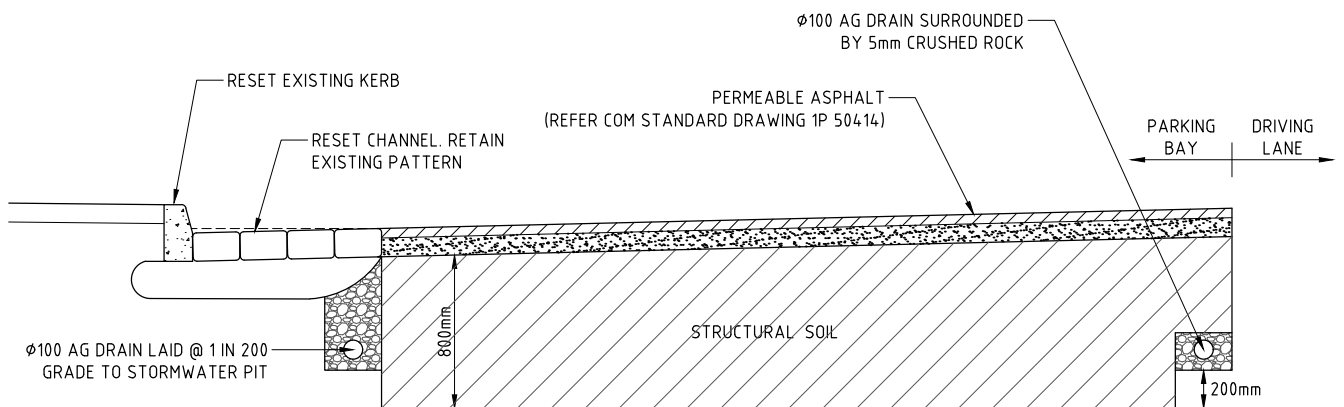


LAYOUT PLAN
SCALE 1 : 100 (A4)



SECTION A-A
SCALE 1 : 40 (A4)



SECTION B-B
SCALE 1 : 40 (A4)

ISSUED FOR
INFORMATION
NOT FOR CONSTRUCTION

THIS FIGURE IS COPYRIGHT TO DESIGNFLOW.

NO PART OF THIS FIGURE INCLUDING THE WHOLE OF SAME SHALL BE USED FOR ANY OTHER PURPOSE NOR BY ANY OTHER THIRD PARTY WITHOUT THE WRITTEN CONSENT OF DESIGNFLOW.

© DESIGNFLOW



DESIGN G.W. / R.A.

DRAWN S.B.Y.

DATE 15.01.2020

SCALE 1 : 40 @ A4

PROJECT CITY OF MELBOURNE - STREETSCAPE BLUE GREEN INFRASTRUCTURE DESIGN STANDARDS

FIGURE TITLE TYPE 9: OUTSTAND WITH SURROUNDING PERMEABLE ASPHALT

PROJECT No 3294

FIGURE No

TYPE 9

ISSUE B